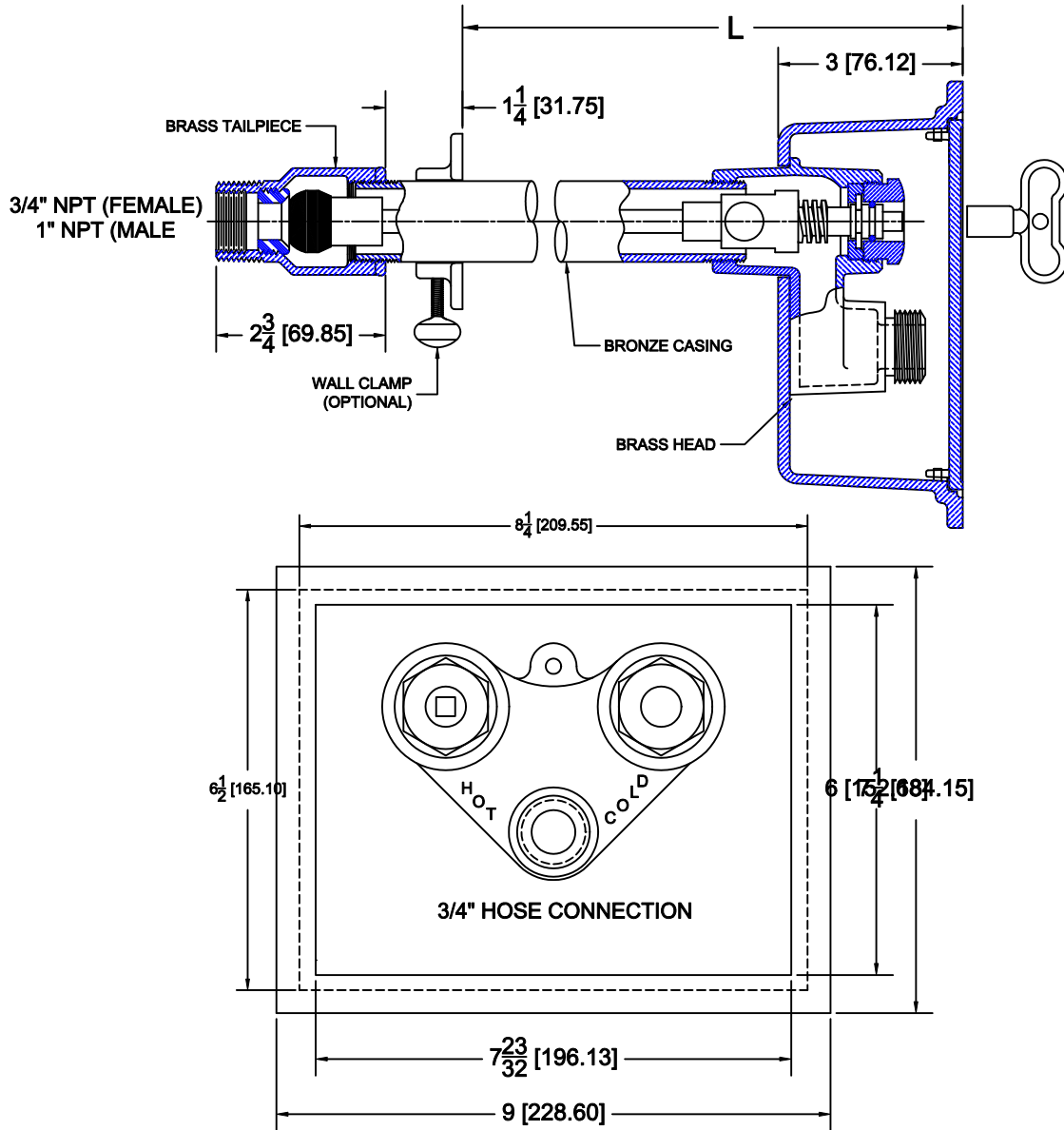


# NON-FREEZE WALL HYDRANT



## 8606-HC

MULTI-TEMP WALL HYDRANT WITH BRONZE INTERIOR PARTS, KEY OPERATOR, 3/4" IPS THREADED INLET, BRONZE CASING, NEOPRENE PLUNGER AND NICKEL BRONZE BOX W/ HINGED LID.



Catalog No.	Hose Size	'L' (Length)	Catalog No.	Hose Size	'L' (Length)
<input type="checkbox"/> 8606-HC-L6	3/4 (19)	6 (152)	<input type="checkbox"/> 8606-HC-L18	3/4 (19)	18 (457)
<input type="checkbox"/> 8606-HC-L8	3/4 (19)	8 (203)	<input type="checkbox"/> 8606-HC-L20	3/4 (19)	20 (508)
<input type="checkbox"/> 8606-HC-L10	3/4 (19)	10 (254)	<input type="checkbox"/> 8606-HC-L22	3/4 (19)	22 (559)
<input type="checkbox"/> 8606-HC-L12	3/4 (19)	12 (305)	<input type="checkbox"/> 8606-HC-L24	3/4 (19)	24 (610)
<input type="checkbox"/> 8606-HC-L14	3/4 (19)	14 (356)	<input type="checkbox"/> 8606-HC-L26	3/4 (19)	26 (660)
<input type="checkbox"/> 8606-HC-L16	3/4 (19)	16 (406)			

### OPTIONS

Suffix	Description
<input type="checkbox"/> WC	WALL CLAMP

Approval Date: \_\_\_\_\_  
 Customer Approval: \_\_\_\_\_  
 Job Location: \_\_\_\_\_  
 Job Name: \_\_\_\_\_

Dimensional Data (Inches/mm) are Subject to Manufacturers Tolerance and Change Without Notice. Wade Division / Tyler Pipe Assumes No Responsibility For Superseded or Voided Data

# NON-FREEZE WALL HYDRANT



8606-HC

MULTI-TEMP WALL HYDRANT WITH BRONZE INTERIOR PARTS, KEY OPERATOR, 3/4" IPS THREADED INLET, BRONZE CASING, NEOPRENE PLUNGER AND NICKEL BRONZE BOX W/ HINGED LID.

Approval Date

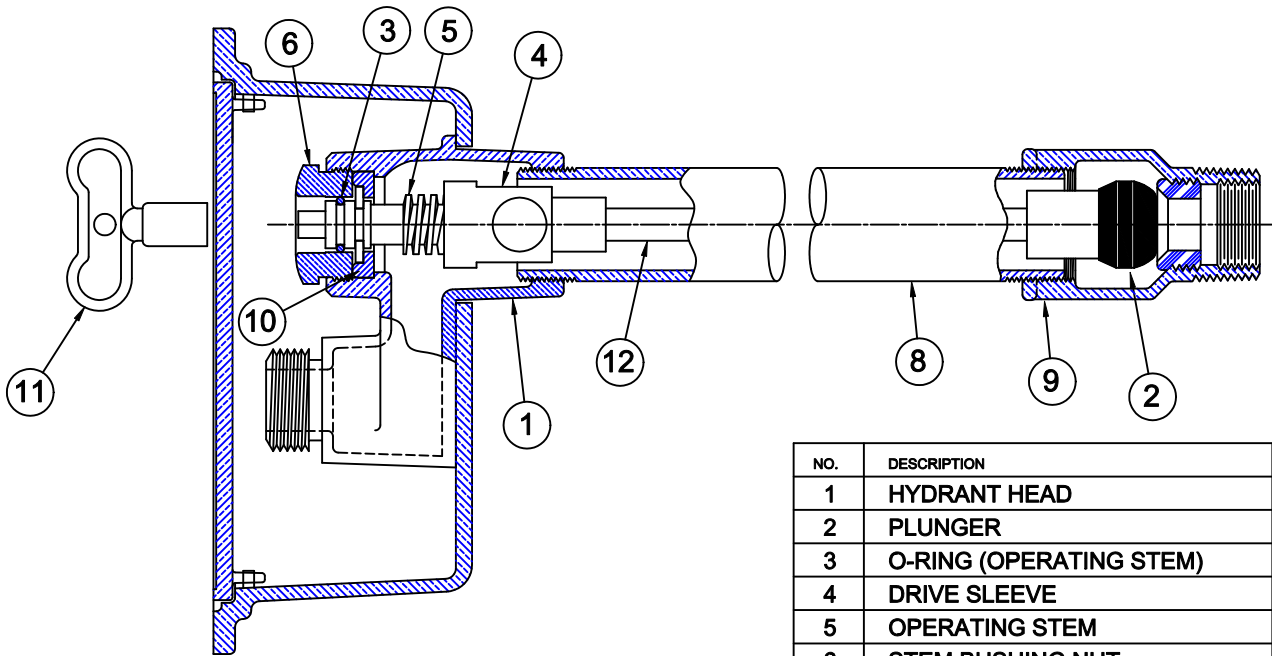
Customer Approval

Job Location

Job Name

Wade Division / Tyler Pipe Assumes No Responsibility For Superseded or Voided Data

Dimensional Data (Inches/mm) are Subject to Manufacturers Tolerance and Change Without Notice.



NO.	DESCRIPTION	UPC 670610
2,3,5	MINOR REPAIR KIT	362104
10,11	WK06	
2,3,4	MAJOR REPAIR KIT	361923
5,6,7	WK05	
10,11		

NO.	DESCRIPTION
1	HYDRANT HEAD
2	PLUNGER
3	O-RING (OPERATING STEM)
4	DRIVE SLEEVE
5	OPERATING STEM
6	STEM BUSHING NUT
7	DRIVE SLEEVE
8	CASING
9	VALVE BODY
10	THRUST WASHER / SEAL
11	OPERATING KEY
12	CONTROL ROD (L6)
	CONTROL ROD (L8)
	CONTROL ROD (L10)
	CONTROL ROD (L12)
	CONTROL ROD (L14)
	CONTROL ROD (L16)
	CONTROL ROD (L18)
	CONTROL ROD (L20)
	CONTROL ROD (L22)
	CONTROL ROD (L24)

# NON-FREEZE WALL HYDRANT



8606-HC

MULTI-TEMP WALL HYDRANT WITH BRONZE INTERIOR PARTS, KEY OPERATOR, 3/4" IPS THREADED INLET, BRONZE CASING, NEOPRENE PLUNGER AND NICKEL BRONZE BOX W/ HINGED LID.

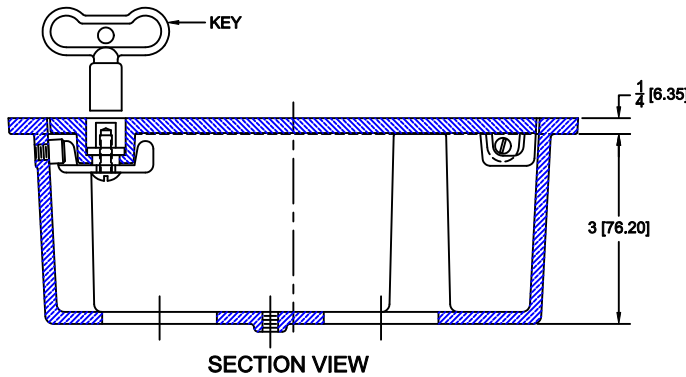
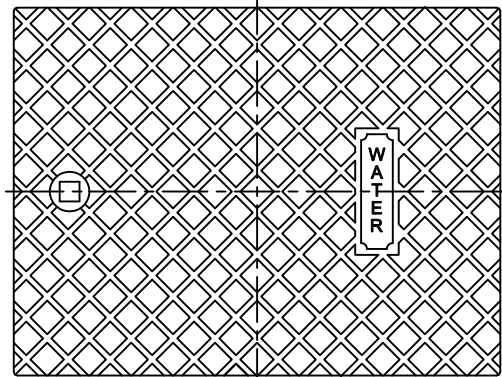
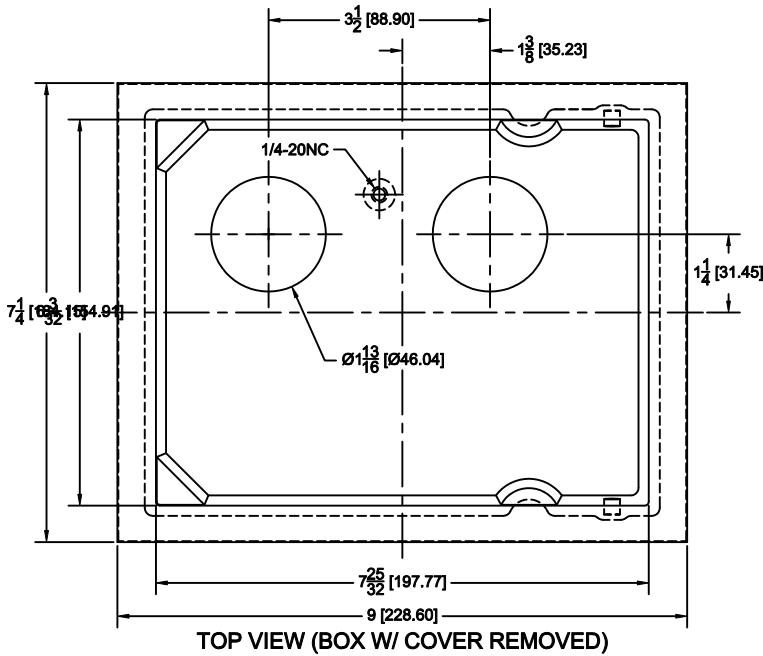
Approval Date

Customer Approval

Job Location

Job Name

Wade Division / Tyler Pipe Assumes No Responsibility For Superseded or Voided Data  
Dimensional Data (Inches/mm) are Subject to Manufacturers Tolerance and Change Without Notice.



ITEM	QTY	DESCRIPTION	PART NO.
1	1	BOX (NICKEL BRONZE)	8606-B
2	1	LID (NICKEL BRONZE)	8606-C
3	2	HINGE PIN (BRASS)	HD-9082-C
4	1	LATCH PAWL	HD-2236-B
5	1	CATCH SCREW (BRASS)	HD-9080-A
6	1	LATCH STEM (BRASS)	HD-9081-B
7	2	BRASS SCREW 1/4-20NC x 1" LONG	BD-32R
8	2	BRASS SCREW 10-24NC x 1/2" LONG	HD-9511-B
9	2	PLASTIC WASHER	HD-2236-A

ITEM	QTY	DESCRIPTION	UPC (670610)
3-9	1	BOX REPAIR KIT WK13	362135
2	1	OPERATING KEY	230731

# NON-FREEZE WALL HYDRANT



## 8606-HC

MULTI-TEMP WALL HYDRANT WITH BRONZE INTERIOR PARTS, KEY OPERATOR, 3/4" IPS THREADED INLET, BRONZE CASING, NEOPRENE PLUNGER AND NICKEL BRONZE BOX W/ HINGED LID.

Approval Date

Customer Approval

Job Location

Job Name

Dimensional Data (Inches/mm) are Subject to Manufacturers Tolerance and Change Without Notice. Wade Division / Tyler Pipe Assumes No Responsibility For Superseded or Voided Data

### Troubleshooting Guide

PROBLEM	CAUSE	SOLUTION
Hydrant will not operate when turned on	Water supply is off	Turn water supply on
Cannot turn the hydrant on with the key	Hydrant has not been operated for a long period - O-ring has adhered to stem and head	See service guide steps 1-2, 4-5 and 8-10
	Ceramic disc inside cartridge assembly is broken	See service guide steps 1-4.
Water sprays from holes around vacuum breaker nozzle when hydrant is on	Balance seal is damaged	See service guide steps 1-3 and 8-10
Water sprays from around the key operator when the hydrant is on	Operating coupling o-ring or the air relief orifice o-ring is damaged	See service guide steps 1-4
Hydrant weeps around the operating key area	This is normal (hydrant will self drain for a short period after it is off)	Take no action
Hydrant will not weep (self drain) after it is shut off and a hose is attached	The air relief orifice is blocked	Use a paper clip to evacuate debris from the orifice
Hydrant will not shut off completely	Plunger assembly is loose or damaged	See service guide steps 1-4
Hydrant has low flow	Water supply to the hydrant is restricted	Check water supply to ensure that all upstream valves are fully open

### Service Guide

#### Step 1: Shutt Off Water Supply to Hydrant.

Locate the supply shut-off valve and actuate until water supply is off.

#### Step 2: Removing Internal Components

Use a wrench of appropriate size to remove the stem bushing nut by turning counterclockwise.

With a key operator, turn the drive screw 3 to 4 turns clockwise to let the drive screw assembly protrude slightly from the hydrant face. Using (2) screwdrivers or visegrip pliers, pull to release the internal operating assembly.

#### Step 3: Replacing Operating Stem and Internal Seals

Unscrew the plunger assembly from the operating rod. Screw a new plunger or cartridge assembly onto the rod.

Reassemble the drive screw, drive sleeve, operating rod, plunger.

Insert assembly into the hydrant with the square drive sleeve aligned with its square bore.

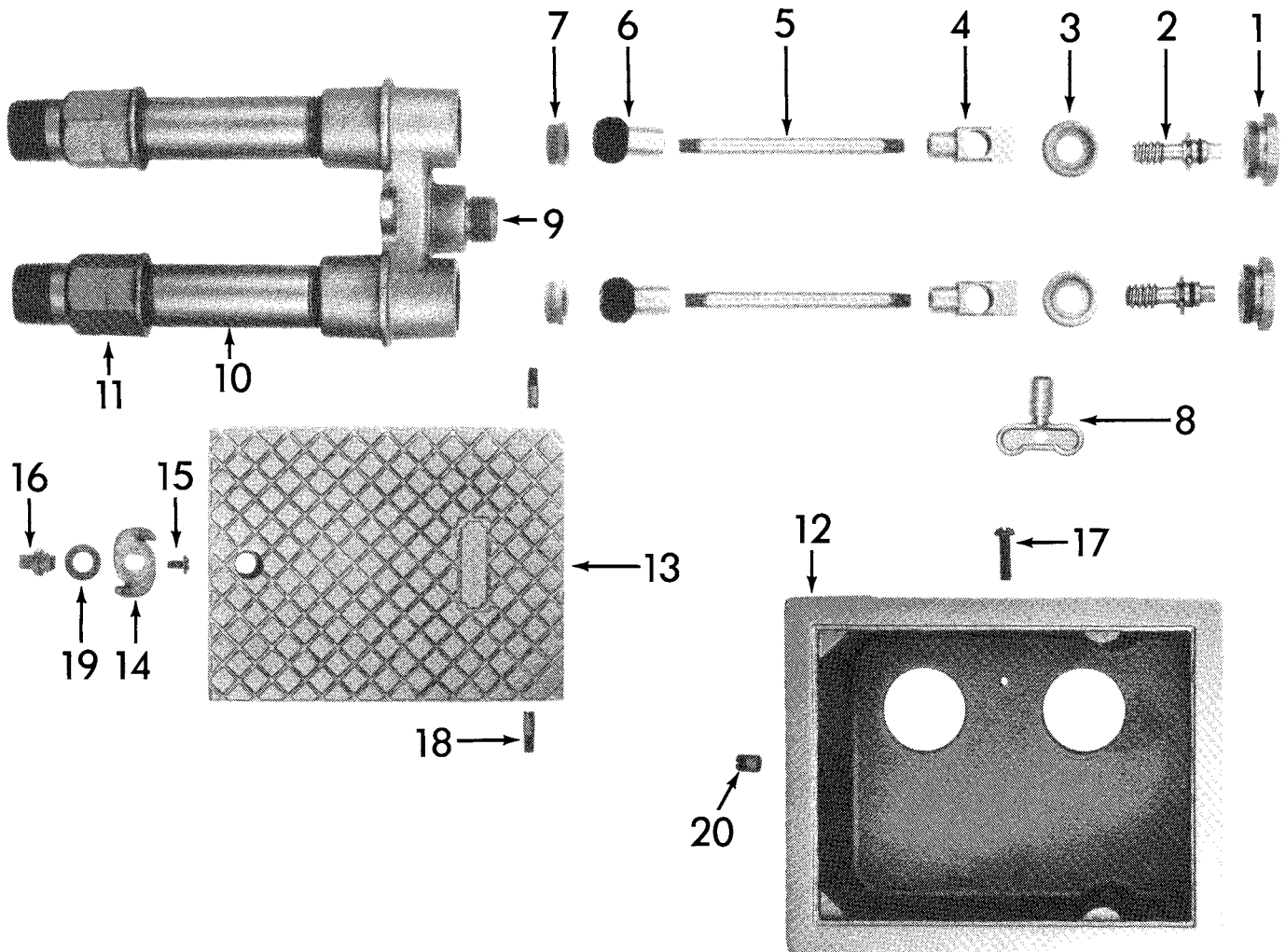
Unscrew the drive screw from the sleeve and install the nylon thrust washer / seal and stem bushing nut.

Operate the hydrant fully open and closed to check for normal operation.

#### Step 4: Turn On the Water Supply

Locate the water supply valve and actuate open. Open and close the hydrant to ensure it works correctly.

WADE 8606,HC Wall Hydrant w/Box (Hot & Cold)



Item	Description	Material
1	Stem Bushing Nut.....	Brass
2	Drive Screw Assembly ....	Brass
3	Retainer Seal .....	Nylon
4	Drive Sleeve .....	Brass
5	Control Rod (3/8" Dia.) ...	Brass
6	Plunger .....	Neoprene/Brass
7	Seat .....	Nylon
8	T-Handle .....	Zinc Die Cast
9	Head .....	Bronze
10	Casing.....	Bronze
11	Valve Body.....	Bronze
12	Box.....	Bronze
13	Lid.....	Bronze
14	Latch Pawl .....	Bronze
15	Latch Screw.....	Brass
16	Latch Stem.....	Brass
17	Hinge Pin .....	Brass
18	Latch Washer (2 Req'd) ..	Nylon
19	Catch Screw .....	Brass
20	Securing Screw.....	Brass

REPAIR KITS (Two Required per Hydrant)

Items	Description	UPC No. 670610
1-4,6,8.....	Hydrant,Rpr,Kit,WK06,Maj,8604 .....	362104
2,3,6,8.....	Hydrant,Rpr,Kit,WK05,Min,8604 .....	361923
14-19.....	Hydrant,Rpr,Kit,WK13 Box.....	362135
8.....	Hydrant,Kit,1ea,T-Handle.....	230731